

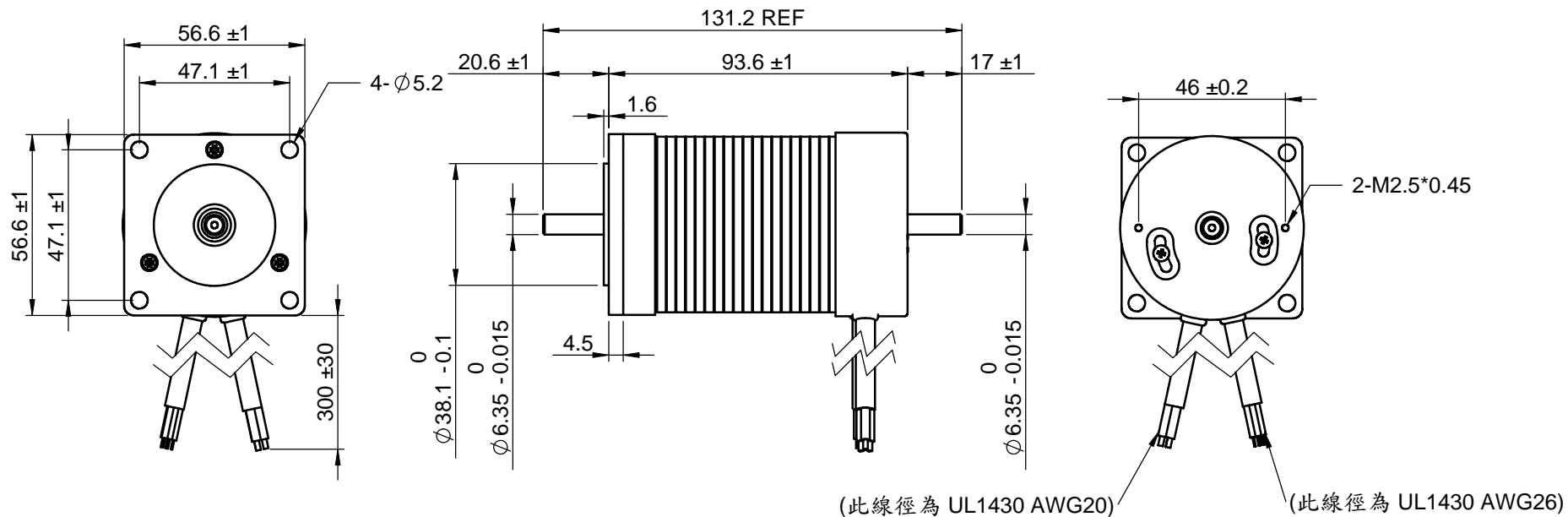
1 2 3 4 5 6

A

A

B

B



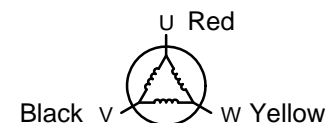
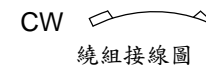
(此線徑為 UL1430 AWG20) (此線徑為 UL1430 AWG26)

C

C

Hall 接線表		
Pin	Color	功能(說明)
1	Blue	Hall U
2	Black	GND
3	Green	Hall V
4	Red	+5V
5	White	Hall W

Motor 接線表		
Pin	Color	功能(說明)
1	Red	Motor U
2	Black	Motor V
3	Yellow	Motor W



D

D

MODEL		NO LOAD		AT MAXIMUM EFFICIENCY					THIRD ANGLE PROJECTION ALL DIMENSION ARE IN MM (UNLESS OTHERWISE SPECIFIED)	製圖 設計 審核 材料 完成時間	JOANNE	Cheshire Electric Company, LLC		
NOMINAL	36V DC	RPM	A	SPEED	CURRENT	TORQUE	OUTPUT	EFF				Part No	Name	REV. NO.
		5800	0.46	5060	3.18	2.02	107.73	93.89	繪製比例: 1:2	2011/9/29	DC Brushless motor			

1 2 3 4 5 6